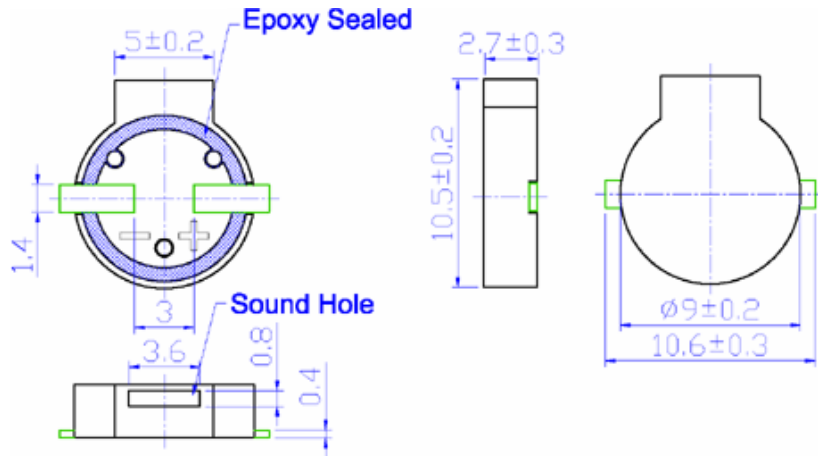
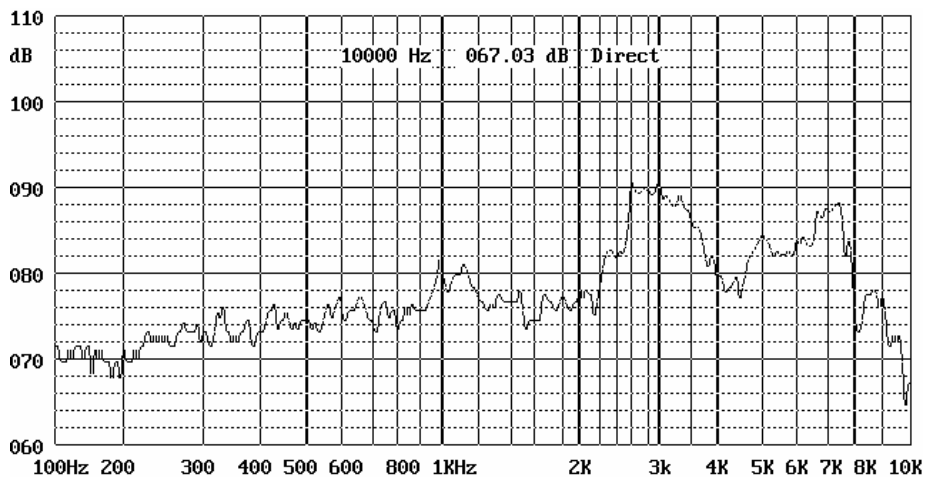


## Dimension



## Frequency response



BE-FS/69 Rev.:0

Copyright © 2006 Bujeon Europe GmbH. This specification is subject to change without notice in order to improve reliability, function or design. Please contact us for technical specifications before purchase or use.

## Magnetic Buzzer (external drive)

### ■ BE-G9027C-T03-Q7

#### Feature

- RoHS Compliance
- Compact design
- Side opening for sound emission

#### Specification

Electrical specifications are measured at 20±2 Degree Celsius, Humidity 65±5%

Rated Voltage (Vo-p)	3
Operating Voltage (Vo-p)	1.5 ~ 4
Current Consumption (mA)	max. 90
Coil Resistance (Ω)	15±3
S.P.L. (dB Distance at 10cm)	min. 90
Resonance Frequency (Hz)	2731
Operating Temperature Range (°C)	-30 ~ +85
Storage Temperature Range (°C)	-40 ~ +90
Contact type	SMD