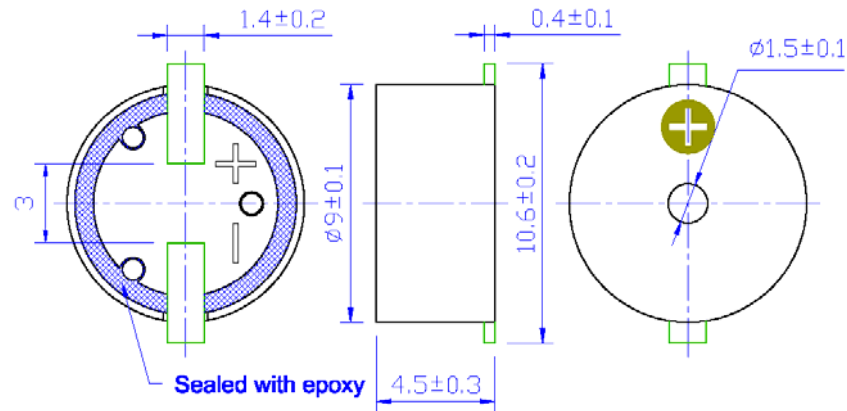
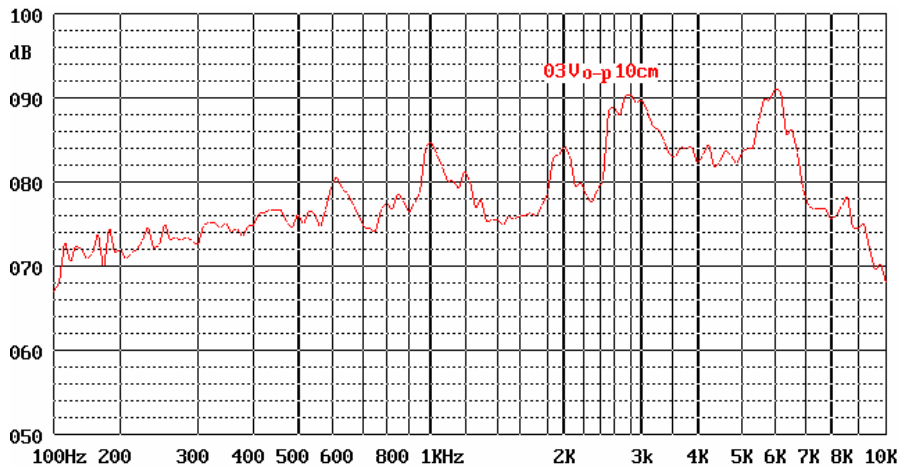


Dimension



Frequency response



BE-FS/69 Rev.:0

Copyright © 2006 Bujeon Europe GmbH. This specification is subject to change without notice in order to improve reliability, function or design. Please contact us for technical specifications before purchase or use.

Magnetic Buzzer (external drive)

■ BE-G9045B-T036-Q7

Feature

- RoHS Compliance
- Reflow Solderable
- Compact design
- High S.P.L.

Specification

Electrical specifications are measured at 20 ± 2 Degree Celsius, Humidity $65 \pm 5\%$

Rated Voltage (Vo-p)	3.6
Operating Voltage (Vo-p)	2 ~ 4
Current Consumption (mA)	max. 80
Coil Resistance (Ω)	15 ± 3
S.P.L. (dB Distance at 10cm)	min. 90
Resonance Frequency (Hz)	2660
Operating Temperature Range ($^{\circ}C$)	$-30 \sim +85$
Storage Temperature Range ($^{\circ}C$)	$-40 \sim +90$
Contact type	SMD