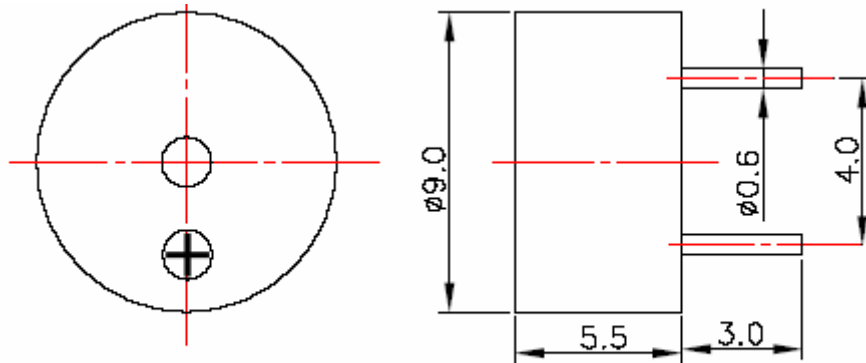
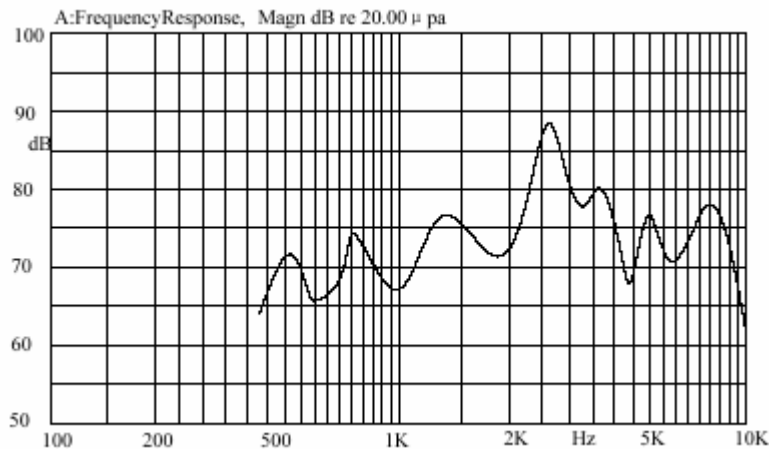


Dimension



UNIT: mm±0.5

Frequency response



Magnetic Buzzer (external drive)

■ BE-G9055S-M03-Q7

Feature

- RoHS Compliance
- Compact design
- Low profile

Specification

Electrical specifications are measured at 20±2 Degree Celsius, Humidity 65±5%

Rated Voltage (Vo-p)	3
Operating Voltage (Vo-p)	2 ~ 4
Current Consumption (mA)	max. 60
Coil Resistance (Ω)	25±3
S.P.L. (dB Distance at 10cm)	min. 85
Resonance Frequency (Hz)	2731
Operating Temperature Range (°C)	-20 ~ +70
Storage Temperature Range (°C)	-30 ~ +80
Contact type	Pin

BE-FS/69 Rev.:0

Copyright © 2006 Bujeon Europe GmbH. This specification is subject to change without notice in order to improve reliability, function or design. Please contact us for technical specifications before purchase or use.