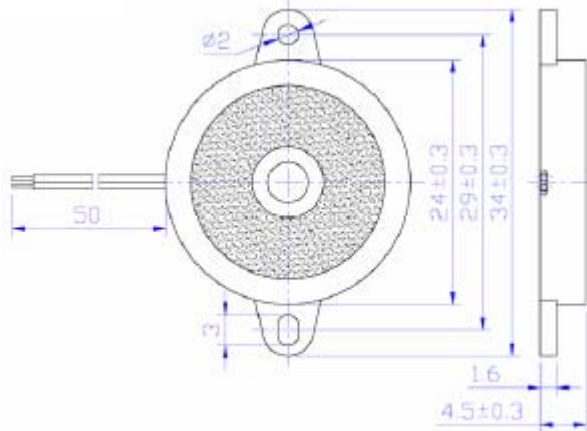
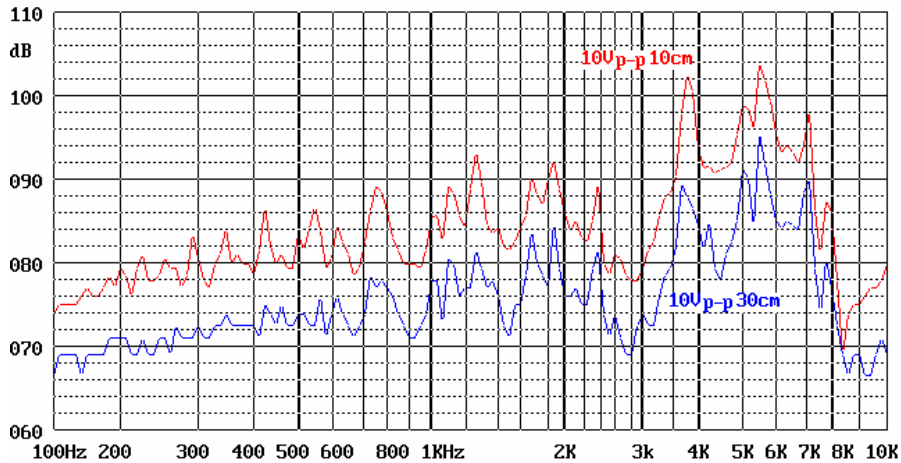


Dimension



Frequency response



Piezo Buzzer (external drive)

■ BE-Z2445C-L10-S

Feature

- RoHS Compliance
- Low profile design
- Low current consumption

Specification

Electrical specifications are measured at 20±2 Degree Celsius, Humidity 65±5%

Rated Voltage (Vp-p)	10
Operating Voltage (Vp-p)	1 ~ 30
Current Consumption (mA)	max. 5
Capacitance (pF) at 4kHz	25,000 ±30%
S.P.L. (dB Distance at 10cm)	min. 85
Resonance Frequency (Hz)	4000
Operating Temperature Range (°C)	-20 ~ +60
Storage Temperature Range (°C)	-30 ~ +70
Contact type	Lead wire

BE-FS/69 Rev.:0

Copyright © 2006 Bujeon Europe GmbH. This specification is subject to change without notice in order to improve reliability, function or design. Please contact us for technical specifications before purchase or use.