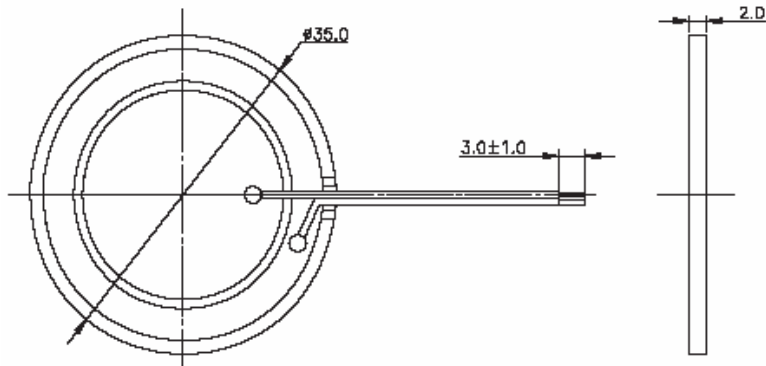
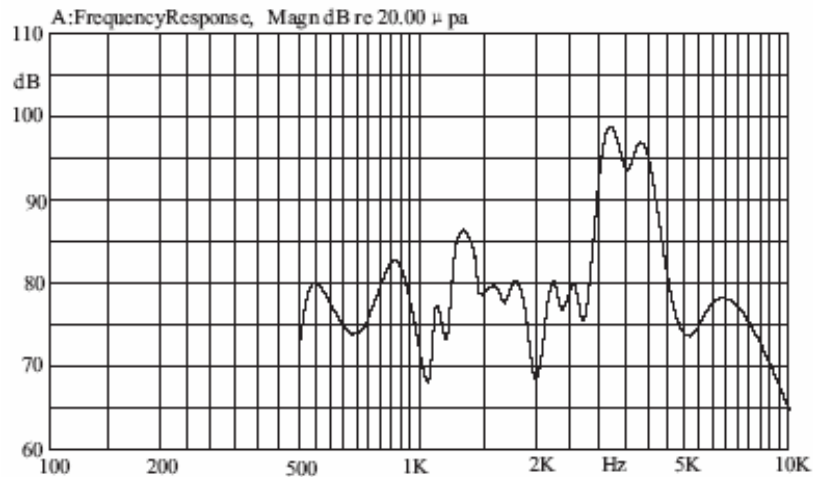


Dimension



Frequency response



BE-FS/69 Rev.:0

Copyright © 2006 Bujeon Europe GmbH. This specification is subject to change without notice in order to improve reliability, function or design. Please contact us for technical specifications before purchase or use.

Piezo Buzzer (external drive)

■ BE-Z3502E-L12-P3

Feature

- RoHS Compliance
- Low profile design
- Low current consumption

Specification

Electrical specifications are measured at 20 \pm 2 Degree Celsius, Humidity 65 \pm 5%

Rated Voltage (Vp-p)	12
Operating Voltage (Vp-p)	1 ~ 30
Current Consumption (mA)	max. 5
Capacitance (pF) at 4kHz	45,000 \pm 30%
S.P.L. (dB Distance at 10cm)	min. 75
Resonance Frequency (Hz)	1300
Operating Temperature Range (°C)	-20 ~ +60
Storage Temperature Range (°C)	-30 ~ +70
Contact type	Lead wire